

SOUND INDICATION SYSTEM



[SINCE-1989]



SOLID STATE BUZZER



SERIES-SSB

STS make Solid-State-Buzzers are designed to provide Linear Audio-Alarm. Output Sound Label is pleasing & comfortable to the operator. The Unit is so designed to be utilized in the most sensitive zone of human auditory system. The user can adjust the pitch in order to select the sound so that it becomes easily distinguishable in the ambient noise.

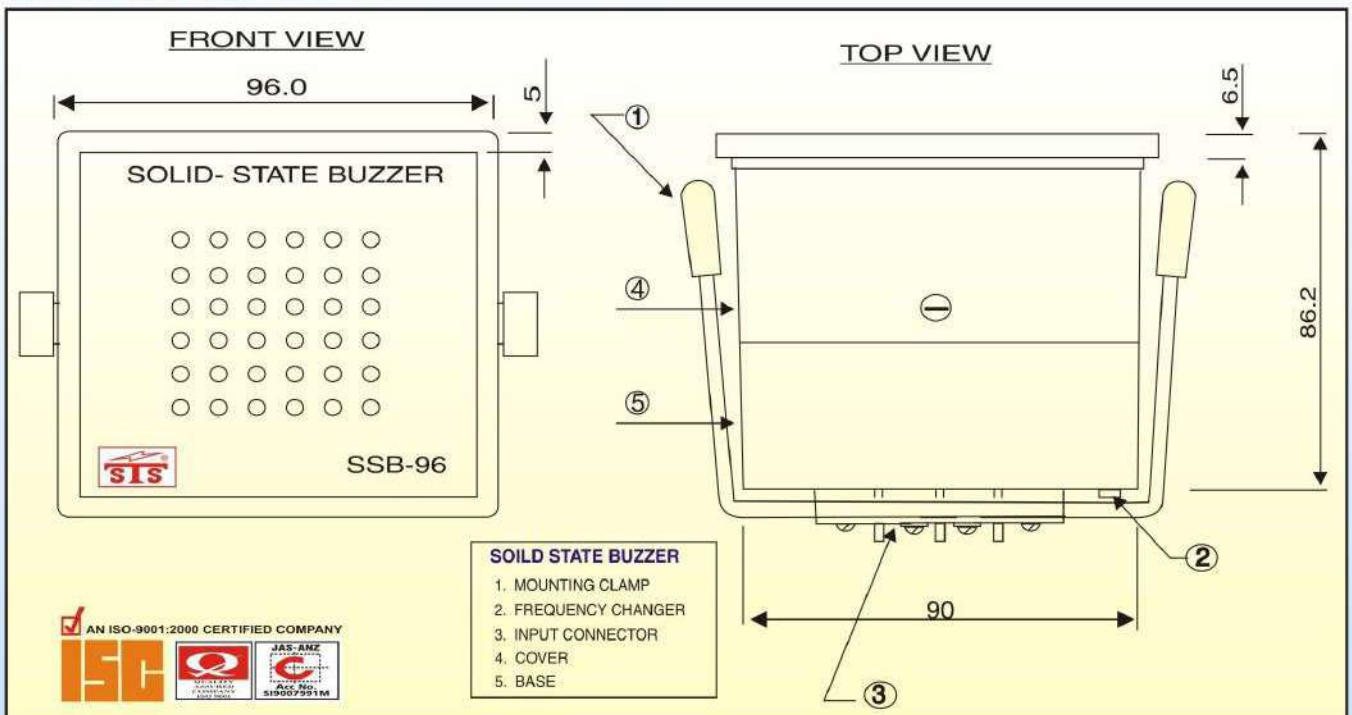
Application :-

STS make Buzzers are fully solid-state. The Unit is designed to provide audio annunciation to all industrial application such as :-

- | | | |
|------------------|---------------------|-------------------|
| i. Control Rooms | ii. Generator Rooms | iii. Control Desk |
| iv. Panel Boards | v. Switchyards | vi. Work shop |

SALIENT FEATURES	TECHNICAL SPECIFICATION
<ul style="list-style-type: none"> ★ Very Low Power Consumption. ★ AC./DC Operating Voltage options ★ Fully-Solid-State ★ Easy Mounting ★ Protected against polarity reversal ★ Vibration Resistant ★ Comfortable Sound adjustment ★ Fully insulated ★ Multi Tone IN-ONE ★ Generates no radio Frequency Noise 	<ul style="list-style-type: none"> ★ Rated Voltage : AC-12V, 24V, 110V & 230V AC 50Hz DC-12V, 24V, 48V, 72V, 110V & 220V DC ★ Power Consumption :- 5V A in AC 5 W in DC - [Maximum] ★ Operation Voltage Range - 80% to 120% of Rated Voltage ★ Audio Output-90-120db, 1 Watt ★ Panel Cutout-92x92 mm ★ Size-96x 96 mm DIN Square Size ★ O/P Frequency Range-300-1000Hz Continually ★ Variable pitch regulator. ★ Operating TEMP. RANGE-20°C to +65°C ★ ISS ref. - 2268-1994

DIMENSIONAL DETAIL (DIMENSIONS ARE IN MM)





[SINCE-1989]

INDUSTRIAL HOOTERS



SERIES-SH

STS Industrial Hooters are designed to meet the requirement of day today industrial alarm system. The unit is housed in a dust & vermin proof cast aluminum & international Class plastics. The metallic surface is treated either with hard baked paint or Powder Coating having an attractive required shade and finish. Surface flush mounting hooters are also available. Two way terminal block is provided to connect the input supply.

APPLICATION :- The Unit is designed to provide audio annunciation to all application such as :-

- + Panel Boards
- + Control Rooms
- + Schools & Colleges
- + Banks
- + Control desks
- + Hotels
- + Cranes
- + Hoists
- + Elevators etc.

SALIENT FEATURES :-

- + Perfect Mechanical Strength
- + Protection against Electric Shock
- + Provision for earthing
- + Continuous duty
- + Long durability
- + High quality core used
- + Clear & high audio output
- + Standard tested component used
- + International design
- + Quality assurance as routine test
- + Mechanical strength as per I.S.S.ref.
- + Easy mounting
- + Insulation resistance & H.V. Tested
- + High grade electrical wiring
- + Components as per R&D drawing
- + Free from radio & television interference

TECHNICAL DATA

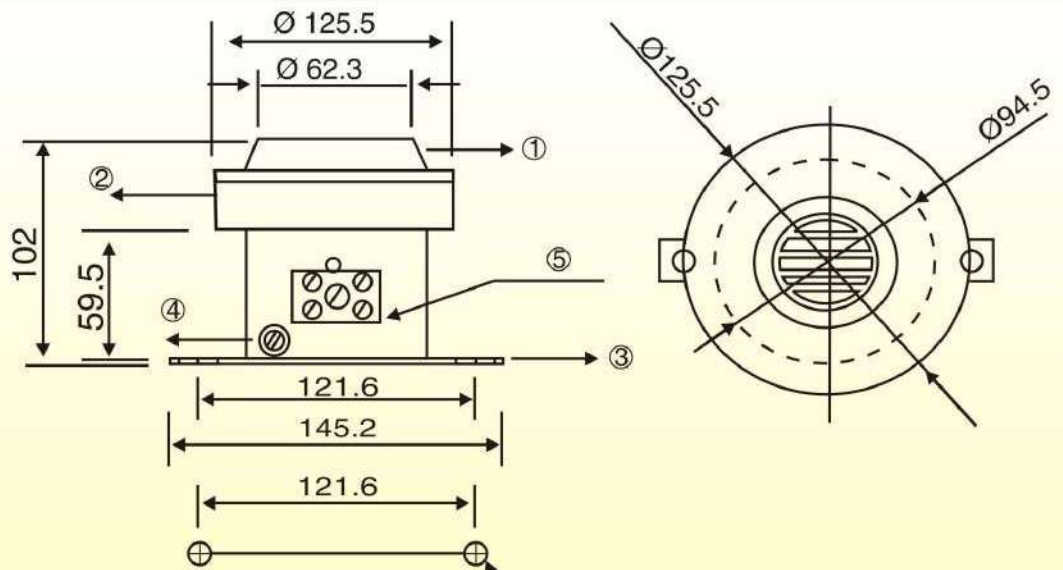
- + Input Voltage :- AC-12V, 24V, 110V & 230V AC 50Hz
- + DC-12V, 24V, 48V, 72V, 110V & 220V DC
- + Audio output :- 95-120 db
- + Over/under Volt. :- $\pm 10\%$ of rated
- + Finish :- Heat & Moisture Resistant
- + Earthing :- Earthing Terminal with proper marking
- + Input Terminal :- Two way with proper identification
- + ISS Ref. :- 2268-1994

DIMENSIONAL DETAIL

(DIMENSIONS ARE IN MM)

INDUSTRIAL HOOTER

1. COVER
2. BASE
3. MOUNTING CLAMP
4. EARTHING TERMINAL
5. TERMINAL STRIP



DRILLING PLAN

MOUNTING HOLES 2 NOS $\varnothing 9.2$ MM

AN ISO-9001:2000 CERTIFIED COMPANY





[SINCE-1989]

INDUSTRIAL GONG BELLS & BUZZERS



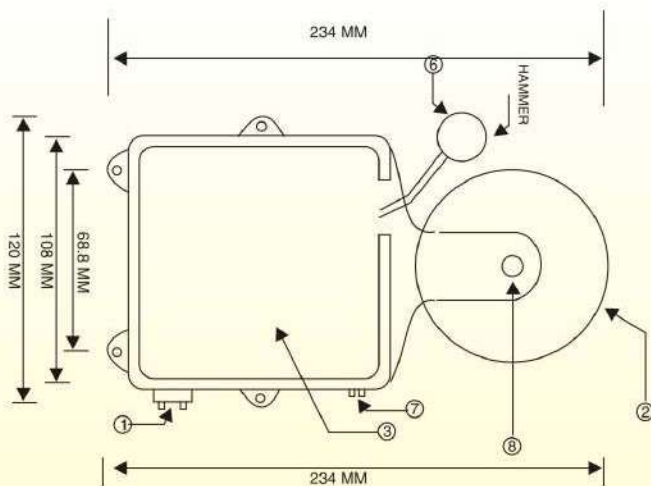
STS Gong Bells are designed to meet update audio requirements of Panel Boards, Power Stations, Control Rooms, Labs, Banks, Workshops & Hotels etc. The enclosure is made from Die Cast aluminium Metallic surface is powder coated with an attractive shade & finish.

SALIENT FEATURES :-

- + Dust & weather proof
- + Long durability
- + Easy Mounting
- + High Quality core used
- + Provision for earthing
- + Paint shade as per relevent ISS Ref.
- + Clear Audio output
- + H.V. Tested
- + Absolutly insulated
- + Heat & Rusting Resistant

TECHNICAL DATA

- + Rated voltage AC-12V, 24V, 110V & 230V AC 50Hz
DC-12V, 24V, 48V, 72V, 110V & 220V DC
- + Size - 4" [10 cm]
- + Input voltage range - $\pm 10\%$ rated supply
- + Power Consemption - Very Low
- + Audio output :- 95 -120 db
- + Rated Insulated voltage -600V AC
- + Temp. range - 25°C to +65°C
- + I.S.I marked wiring cable used
- + Proper input identification
- + ISS Ref. -2268-1994

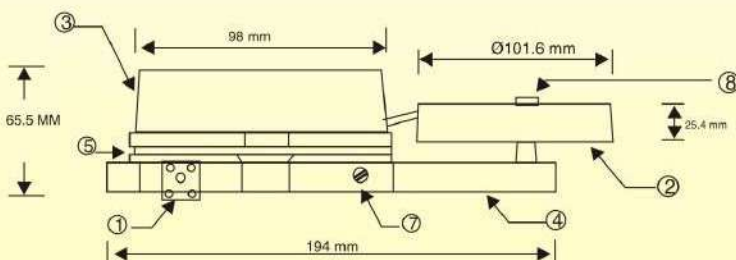


DIMENSIONAL DETAIL

(DIMENSIONS ARE IN MM)

ELECTRICAL BELL

1. Input Terminal Strip
2. Bell
3. Enclosure Cover
4. Enclosure Base
5. Rubber Gasket
6. Hammer Striker
7. Earthing Terminal
8. Bell fixing Bolt



GSTIN No. 09AAECS4924J1Z2



ISO 9001:2015 Certified



SHRI TULSI SWITCHGEAR PVT. LTD.

D-176, Sector-10, Noida Distt. Gautambudh Nagar-201301 (U.P.)

Mob.: 09911192507, 09811192507

Mail: snahata_stsnoida@yahoo.com